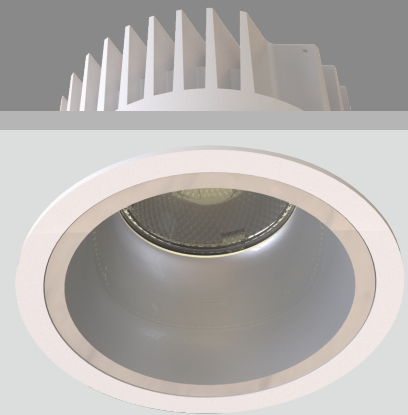


NEKO / TAKEO Pro / T100 Pro

Fixed LED Downlight

Super Eye Comfort
Higher Efficiency

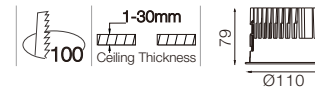


Black Reflector

| LED Power | System Power | LED Voltage | LED Current | CRI | CCT | Beam | LED Output | System Output | Code | | | | | | |
|-----------|--------------|-------------|-------------|-----------------|-------|-------|------------|---------------|-----------------|-----------------|-------|-----|--------|--------|-----------------|
| 8.5 W | 10 W | 34 V | 250 mA | 80 | 2700K | 30° | 1300lm | 1150lm | TS4-8273009N-WB | | | | | | |
| | | | | | | 50° | 1300lm | 1050lm | TS4-8275009N-WB | | | | | | |
| | | | | | | 3000K | 30° | 1400lm | 1200lm | TS4-8303009N-WB | | | | | |
| | | | | | | | 50° | 1400lm | 1100lm | TS4-8305009N-WB | | | | | |
| | | | | | | 4000K | 30° | 1500lm | 1300lm | TS4-8403009N-WB | | | | | |
| | | | | | | | 50° | 1500lm | 1200lm | TS4-8405009N-WB | | | | | |
| | | | | | | 12 W | 14 W | 34 V | 350 mA | 80 | 2700K | 30° | 1800lm | 1500lm | TS4-8273012N-WB |
| | | | | | | | | | | | | 50° | 1800lm | 1400lm | TS4-8275012N-WB |
| 3000K | 30° | 1900lm | 1600lm | TS4-8303012N-WB | | | | | | | | | | | |
| | 50° | 1900lm | 1500lm | TS4-8305012N-WB | | | | | | | | | | | |
| 4000K | 30° | 2050lm | 1700lm | TS4-8403012N-WB | | | | | | | | | | | |
| | 50° | 2050lm | 1600lm | TS4-8405012N-WB | | | | | | | | | | | |
| 17 W | 20 W | 36 V | 500 mA | 80 | 2700K | | | | | | | 30° | 2500lm | 2150lm | TS4-8273017N-WB |
| | | | | | | | | | | | | 50° | 2500lm | 1900lm | TS4-8275017N-WB |
| | | | | | | 3000K | 30° | 2600lm | 2250lm | TS4-8303017N-WB | | | | | |
| | | | | | | | 50° | 2600lm | 2000lm | TS4-8305017N-WB | | | | | |
| | | | | | | 4000K | 30° | 2800lm | 2400lm | TS4-8403017N-WB | | | | | |
| | | | | | | | 50° | 2800lm | 2200lm | TS4-8405017N-WB | | | | | |

Code Remark: N=N(No Driver) F=F(ON-OFF) P=P(Phase Dim) A=A(1-10V Dim) D=D(DALI Dim)

8.5W CRI80 2700K 30° CITIZEN UGR < 19 IP54 5 YEARS GUARANTEE CB CE Intertek
12W CRI90 3000K 50° 50,000h@L80B10
17W 4000K



Matt Reflector



White Reflector

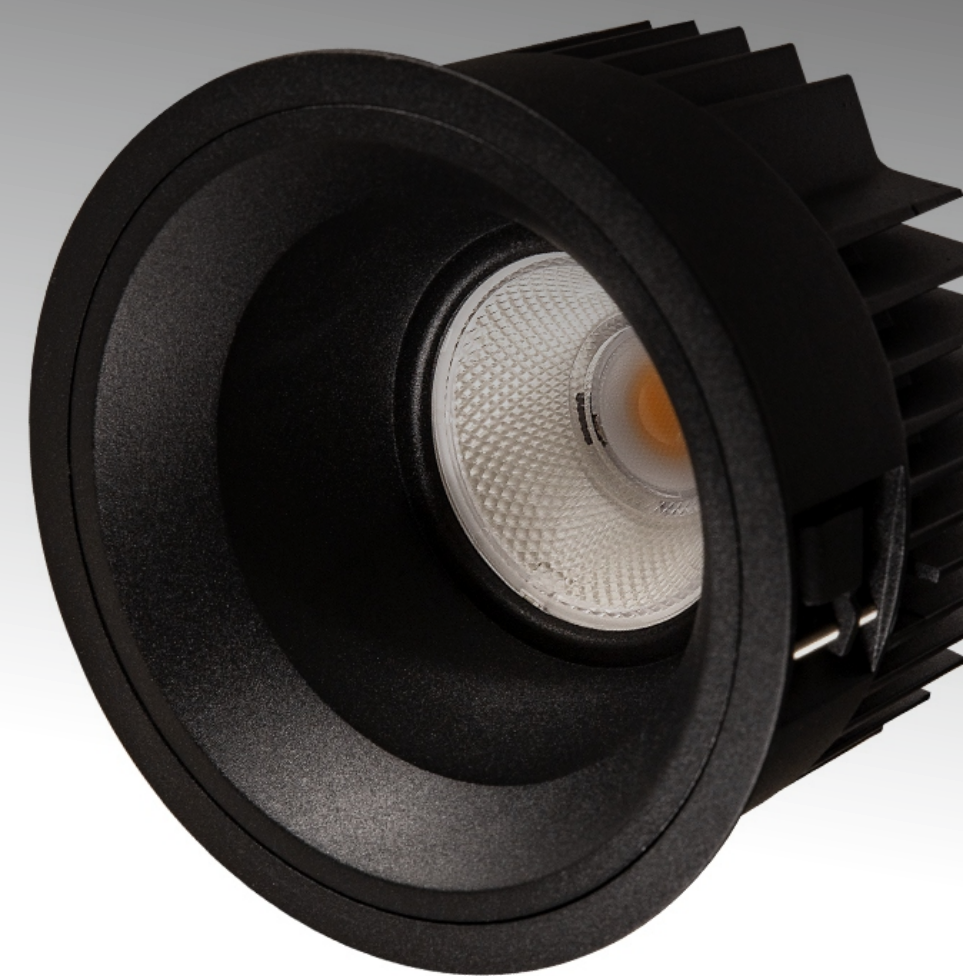
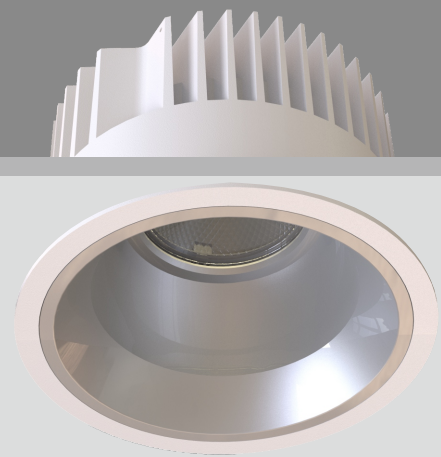
| LED Power | System Power | LED Voltage | LED Current | CRI | CCT | Beam | LED Output | System Output | Code | | | | | | |
|-----------|--------------|-------------|-------------|-----------------|-------|-------|------------|---------------|-----------------|-----------------|-------|-----|--------|--------|-----------------|
| 8.5 W | 10 W | 34 V | 250 mA | 80 | 2700K | 30° | 1300lm | 1150lm | TS4-8273009N-WM | | | | | | |
| | | | | | | 50° | 1300lm | 1050lm | TS4-8275009N-WM | | | | | | |
| | | | | | | 3000K | 30° | 1400lm | 1200lm | TS4-8303009N-WM | | | | | |
| | | | | | | | 50° | 1400lm | 1100lm | TS4-8305009N-WM | | | | | |
| | | | | | | 4000K | 30° | 1500lm | 1300lm | TS4-8403009N-WM | | | | | |
| | | | | | | | 50° | 1500lm | 1200lm | TS4-8405009N-WM | | | | | |
| | | | | | | 12 W | 14 W | 34 V | 350 mA | 80 | 2700K | 30° | 1800lm | 1500lm | TS4-8273012N-WM |
| | | | | | | | | | | | | 50° | 1800lm | 1400lm | TS4-8275012N-WM |
| 3000K | 30° | 1900lm | 1600lm | TS4-8303012N-WM | | | | | | | | | | | |
| | 50° | 1900lm | 1500lm | TS4-8305012N-WM | | | | | | | | | | | |
| 4000K | 30° | 2050lm | 1700lm | TS4-8403012N-WM | | | | | | | | | | | |
| | 50° | 2050lm | 1600lm | TS4-8405012N-WM | | | | | | | | | | | |
| 17 W | 20 W | 36 V | 500 mA | 80 | 2700K | | | | | | | 30° | 2500lm | 2150lm | TS4-8273017N-WM |
| | | | | | | | | | | | | 50° | 2500lm | 1900lm | TS4-8275017N-WM |
| | | | | | | 3000K | 30° | 2600lm | 2250lm | TS4-8303017N-WM | | | | | |
| | | | | | | | 50° | 2600lm | 2000lm | TS4-8305017N-WM | | | | | |
| | | | | | | 4000K | 30° | 2800lm | 2400lm | TS4-8403017N-WM | | | | | |
| | | | | | | | 50° | 2800lm | 2200lm | TS4-8405017N-WM | | | | | |
| | | | | | | 8.5 W | 10 W | 34 V | 250 mA | 80 | 2700K | 30° | 1300lm | 1150lm | TS4-8273009N-WW |
| | | | | | | | | | | | | 50° | 1300lm | 1050lm | TS4-8275009N-WW |
| 3000K | 30° | 1400lm | 1200lm | TS4-8303009N-WW | | | | | | | | | | | |
| | 50° | 1400lm | 1100lm | TS4-8305009N-WW | | | | | | | | | | | |
| 4000K | 30° | 1500lm | 1300lm | TS4-8403009N-WW | | | | | | | | | | | |
| | 50° | 1500lm | 1200lm | TS4-8405009N-WW | | | | | | | | | | | |
| 12 W | 14 W | 34 V | 350 mA | 80 | 2700K | | | | | | | 30° | 1800lm | 1500lm | TS4-8273012N-WW |
| | | | | | | | | | | | | 50° | 1800lm | 1400lm | TS4-8275012N-WW |
| | | | | | | 3000K | 30° | 1900lm | 1600lm | TS4-8303012N-WW | | | | | |
| | | | | | | | 50° | 1900lm | 1500lm | TS4-8305012N-WW | | | | | |
| | | | | | | 4000K | 30° | 2050lm | 1700lm | TS4-8403012N-WW | | | | | |
| | | | | | | | 50° | 2050lm | 1600lm | TS4-8405012N-WW | | | | | |
| | | | | | | 17 W | 20 W | 36 V | 500 mA | 80 | 2700K | 30° | 2500lm | 2150lm | TS4-8273017N-WW |
| | | | | | | | | | | | | 50° | 2500lm | 1900lm | TS4-8275017N-WW |
| 3000K | 30° | 2600lm | 2250lm | TS4-8303017N-WW | | | | | | | | | | | |
| | 50° | 2600lm | 2000lm | TS4-8305017N-WW | | | | | | | | | | | |
| 4000K | 30° | 2800lm | 2400lm | TS4-8403017N-WW | | | | | | | | | | | |
| | 50° | 2800lm | 2200lm | TS4-8405017N-WW | | | | | | | | | | | |

Code Remark: N=N(No Driver) F=F(ON-OFF) P=P(Phase Dim) A=A(1-10V Dim) D=D(DALI Dim)

NEKO / TAKEO Pro / T150 Pro

Fixed LED Downlight

Super Eye Comfort
Higher Efficiency



| | | | | | | | | | | |
|------------|----------------|-------------------------|------------|---------------------------|-------------|------|-----------------|----|----|----------|
| 17W 24W | CRI80 CRI90 | 2700K 3000K 4000K | 30° 65° | CITIZEN 50,000h@L80B10 | UGR < 19 | IP54 | 5 GUARANTEED | CB | CE | Intertek |
|------------|----------------|-------------------------|------------|---------------------------|-------------|------|-----------------|----|----|----------|



| LED Power | System Power | LED Voltage | LED Current | CRI | CCT | Beam | LED Output | System Output | Code | |
|-----------|--------------|-------------|-------------|-----|-------|-------|------------|---------------|-----------------|-----------------|
| 17 W | 19 W | 36 V | 500 mA | 80 | 2700K | 30° | 3000lm | 2450lm | TM4-8273017N-WM | |
| | | | | | | 65° | 3000lm | 2000lm | TM4-8276517N-WM | |
| | | | | | | 3000K | 30° | 3200lm | 2600lm | TM4-8303017N-WM |
| | | | | | | | 65° | 3200lm | 2100lm | TM4-8306517N-WM |
| | | | | | | 4000K | 30° | 3500lm | 2800lm | TM4-8403017N-WM |
| | | | | | | | 65° | 3500lm | 2300lm | TM4-8406517N-WM |
| 24 W | 26 W | 36 V | 700 mA | 80 | 2700K | 30° | 4000lm | 3300lm | TM4-8273024N-WM | |
| | | | | | | 65° | 4000lm | 2700lm | TM4-8276524N-WM | |
| | | | | | | 3000K | 30° | 4200lm | 3500lm | TM4-8303024N-WM |
| | | | | | | | 65° | 4200lm | 2850lm | TM4-8306524N-WM |
| | | | | | | 4000K | 30° | 4500lm | 3800lm | TM4-8403024N-WM |
| | | | | | | | 65° | 4500lm | 3000lm | TM4-8406524N-WM |



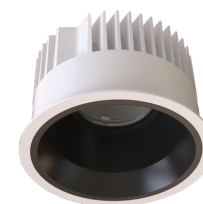
Matt Reflector



White Reflector

Code Remark: N=N(No Driver) F=F(ON-OFF) P=P(Phase Dim) A=A(1-10V Dim) D=D(DALI Dim)

| LED Power | System Power | LED Voltage | LED Current | CRI | CCT | Beam | LED Output | System Output | Code | |
|-----------|--------------|-------------|-------------|-----|-------|-------|------------|---------------|-----------------|-----------------|
| 17 W | 19 W | 36 V | 500 mA | 80 | 2700K | 30° | 3000lm | 2450lm | TM4-8273017N-WB | |
| | | | | | | 65° | 3000lm | 2000lm | TM4-8276517N-WB | |
| | | | | | | 3000K | 30° | 3200lm | 2600lm | TM4-8303017N-WB |
| | | | | | | | 65° | 3200lm | 2100lm | TM4-8306517N-WB |
| | | | | | | 4000K | 30° | 3500lm | 2800lm | TM4-8403017N-WB |
| | | | | | | | 65° | 3500lm | 2300lm | TM4-8406517N-WB |
| 24 W | 26 W | 36 V | 700 mA | 80 | 2700K | 30° | 4000lm | 3300lm | TM4-8273024N-WB | |
| | | | | | | 65° | 4000lm | 2700lm | TM4-8276524N-WB | |
| | | | | | | 3000K | 30° | 4200lm | 3500lm | TM4-8303024N-WB |
| | | | | | | | 65° | 4200lm | 2850lm | TM4-8306524N-WB |
| | | | | | | 4000K | 30° | 4500lm | 3800lm | TM4-8403024N-WB |
| | | | | | | | 65° | 4500lm | 3000lm | TM4-8406524N-WB |



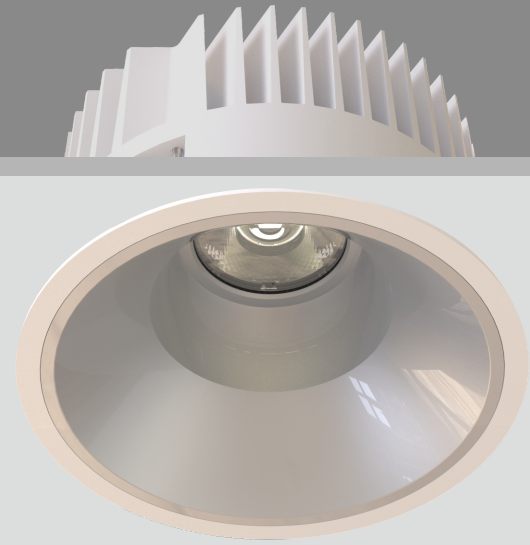
Black Reflector

Code Remark: N=N(No Driver) F=F(ON-OFF) P=P(Phase Dim) A=A(1-10V Dim) D=D(DALI Dim)

NEKO / TAKEO Pro / T200 Pro

Fixed LED Downlight

Super Eye Comfort
Higher Efficiency



White Reflector



Black Reflector

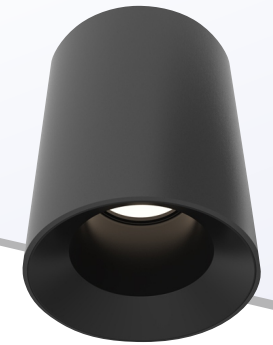
| | | | | | | | | | | | |
|-----|-------|-------|-----|---------------------------|-------------|------|-----------------|----|----|----------|--|
| 24W | CRI80 | 2700K | 18° | CITIZEN 50,000h@L80B10 | UGR < 19 | IP54 | 5 GUARANTEED | CB | CE | Intertek | |
| 36W | CRI90 | 3000K | 30° | | | | | | | | |
| 51W | | 4000K | 65° | | | | | | | | |

| LED Power | System Power | LED Voltage | LED Current | CRI | CCT | Beam | LED Output | System Output | Code | | | | | | |
|-----------|--------------|-------------|-------------|-----------------|-------|-------|------------|---------------|-----------------|-----------------|-------|-----|--------|--------|-----------------|
| 24 W | 26 W | 34 V | 700 mA | 80 | 2700K | 18° | 4200lm | 3200lm | TL4-8271824N-WM | | | | | | |
| | | | | | | 30° | 4200lm | 3300lm | TL4-8273024N-WM | | | | | | |
| | | | | | | 65° | 4200lm | 2700lm | TL4-8276524N-WM | | | | | | |
| | | | | | | 3000K | 18° | 4400lm | 3400lm | TL4-8301824N-WM | | | | | |
| | | | | | | | 30° | 4400lm | 3500lm | TL4-8303024N-WM | | | | | |
| | | | | | | | 65° | 4400lm | 2900lm | TL4-8306524N-WM | | | | | |
| | | | | | | 4000K | 18° | 4700lm | 3700lm | TL4-8401824N-WM | | | | | |
| | | | | | | | 30° | 4700lm | 3800lm | TL4-8403024N-WM | | | | | |
| | | | | | | | 65° | 4700lm | 3100lm | TL4-8406524N-WM | | | | | |
| | | | | | | 36 W | 40 W | 34 V | 1050 mA | 80 | 2700K | 18° | 5600lm | 4600lm | TL4-8271836N-WM |
| | | | | | | | | | | | | 30° | 5600lm | 4800lm | TL4-8273036N-WM |
| | | | | | | | | | | | | 65° | 5600lm | 4000lm | TL4-8276536N-WM |
| 3000K | 18° | 6000lm | 4800lm | TL4-8301836N-WM | | | | | | | | | | | |
| | 30° | 6000lm | 5000lm | TL4-8303036N-WM | | | | | | | | | | | |
| | 65° | 6000lm | 4200lm | TL4-8306536N-WM | | | | | | | | | | | |
| 4000K | 18° | 6500lm | 5100lm | TL4-8401836N-WM | | | | | | | | | | | |
| | 30° | 6500lm | 5300lm | TL4-8403036N-WM | | | | | | | | | | | |
| | 65° | 6500lm | 4500lm | TL4-8406536N-WM | | | | | | | | | | | |
| 51 W | 55 W | 36 V | 1400 mA | 80 | 2700K | | | | | | | 18° | 7000lm | 5700lm | TL4-8271851N-WM |
| | | | | | | | | | | | | 30° | 7000lm | 6000lm | TL4-8273051N-WM |
| | | | | | | | | | | | | 65° | 7000lm | 5000lm | TL4-8276551N-WM |
| | | | | | | 3000K | 18° | 7400lm | 5900lm | TL4-8301851N-WM | | | | | |
| | | | | | | | 30° | 7400lm | 6300lm | TL4-8303051N-WM | | | | | |
| | | | | | | | 65° | 7400lm | 5200lm | TL4-8306551N-WM | | | | | |
| | | | | | | 4000K | 18° | 8000lm | 6300lm | TL4-8401851N-WM | | | | | |
| | | | | | | | 30° | 8000lm | 6700lm | TL4-8403051N-WM | | | | | |
| | | | | | | | 65° | 8000lm | 5500lm | TL4-8406551N-WM | | | | | |

Code Remark: N=N(No Driver) F=F(ON-OFF) P=P(Phase Dim) A=A(1-10V Dim) D=D(DALI Dim)

| LED Power | System Power | LED Voltage | LED Current | CRI | CCT | Beam | LED Output | System Output | Code | | | | | | |
|-----------|--------------|-------------|-------------|-----------------|-------|-------|------------|---------------|-----------------|-----------------|-------|-----|--------|--------|-----------------|
| 24 W | 26 W | 34 V | 700 mA | 80 | 2700K | 18° | 4200lm | 3200lm | TL4-8271824N-WW | | | | | | |
| | | | | | | 30° | 4200lm | 3300lm | TL4-8273024N-WW | | | | | | |
| | | | | | | 65° | 4200lm | 2700lm | TL4-8276524N-WW | | | | | | |
| | | | | | | 3000K | 18° | 4400lm | 3400lm | TL4-8301824N-WW | | | | | |
| | | | | | | | 30° | 4400lm | 3500lm | TL4-8303024N-WW | | | | | |
| | | | | | | | 65° | 4400lm | 2900lm | TL4-8306524N-WW | | | | | |
| | | | | | | 4000K | 18° | 4700lm | 3700lm | TL4-8401824N-WW | | | | | |
| | | | | | | | 30° | 4700lm | 3800lm | TL4-8403024N-WW | | | | | |
| | | | | | | | 65° | 4700lm | 3100lm | TL4-8406524N-WW | | | | | |
| | | | | | | 36 W | 40 W | 34 V | 1050 mA | 80 | 2700K | 18° | 5600lm | 4600lm | TL4-8271836N-WW |
| | | | | | | | | | | | | 30° | 5600lm | 4800lm | TL4-8273036N-WW |
| | | | | | | | | | | | | 65° | 5600lm | 4000lm | TL4-8276536N-WW |
| 3000K | 18° | 6000lm | 4800lm | TL4-8301836N-WW | | | | | | | | | | | |
| | 30° | 6000lm | 5000lm | TL4-8303036N-WW | | | | | | | | | | | |
| | 65° | 6000lm | 4200lm | TL4-8306536N-WW | | | | | | | | | | | |
| 4000K | 18° | 6500lm | 5100lm | TL4-8401836N-WW | | | | | | | | | | | |
| | 30° | 6500lm | 5300lm | TL4-8403036N-WW | | | | | | | | | | | |
| | 65° | 6500lm | 4500lm | TL4-8406536N-WW | | | | | | | | | | | |
| 51 W | 55 W | 36 V | 1400 mA | 80 | 2700K | | | | | | | 18° | 7000lm | 5700lm | TL4-8271851N-WW |
| | | | | | | | | | | | | 30° | 7000lm | 6000lm | TL4-8273051N-WW |
| | | | | | | | | | | | | 65° | 7000lm | 5000lm | TL4-8276551N-WW |
| | | | | | | 3000K | 18° | 7400lm | 5900lm | TL4-8301851N-WW | | | | | |
| | | | | | | | 30° | 7400lm | 6300lm | TL4-8303051N-WW | | | | | |
| | | | | | | | 65° | 7400lm | 5200lm | TL4-8306551N-WW | | | | | |
| | | | | | | 4000K | 18° | 8000lm | 6300lm | TL4-8401851N-WW | | | | | |
| | | | | | | | 30° | 8000lm | 6700lm | TL4-8403051N-WW | | | | | |
| | | | | | | | 65° | 8000lm | 5500lm | TL4-8406551N-WW | | | | | |

Code Remark: N=N(No Driver) F=F(ON-OFF) P=P(Phase Dim) A=A(1-10V Dim) D=D(DALI Dim)



17W CRI80 2700K 30° 3000lm
24W CRI90 3000K 65° 3200lm
4000K 30° 3500lm
65° 3500lm

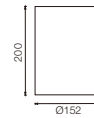
CITIZEN
50,000H@L80B10

UGR < 19

IP54

5 YEAR WARRANTY

CB CE



| LED Power | System Power | LED Voltage | LED Current | CRI | CCT | Beam | LED Output | System Output | Code | |
|-----------|--------------|-------------|-------------|-----|-------|-------|------------|---------------|------------------|------------------|
| 17 W | 19 W | 36 V | 500 mA | 80 | 2700K | 30° | 3000lm | 2450lm | TMC4-8273017N-WM | |
| | | | | | | 65° | 3000lm | 2000lm | TMC4-8276517N-WM | |
| | | | | | | 3000K | 30° | 3200lm | 2600lm | TMC4-8303017N-WM |
| | | | | | | | 65° | 3200lm | 2100lm | TMC4-8306517N-WM |
| | | | | | | 4000K | 30° | 3500lm | 2800lm | TMC4-8403017N-WM |
| | | | | | | | 65° | 3500lm | 2300lm | TMC4-8406517N-WM |
| 24 W | 26 W | 36 V | 700 mA | 80 | 2700K | 30° | 4000lm | 3300lm | TMC4-8273024N-WM | |
| | | | | | | 65° | 4000lm | 2700lm | TMC4-8276524N-WM | |
| | | | | | | 3000K | 30° | 4200lm | 3500lm | TMC4-8303024N-WM |
| | | | | | | | 65° | 4200lm | 2850lm | TMC4-8306524N-WM |
| | | | | | | 4000K | 30° | 4500lm | 3800lm | TMC4-8403024N-WM |
| | | | | | | | 65° | 4500lm | 3000lm | TMC4-8406524N-WM |
| 17 W | 19 W | 36 V | 500 mA | 80 | 2700K | 30° | 3000lm | 2450lm | TMC4-8273017N-WB | |
| | | | | | | 65° | 3000lm | 2000lm | TMC4-8276517N-WB | |
| | | | | | | 3000K | 30° | 3200lm | 2600lm | TMC4-8303017N-WB |
| | | | | | | | 65° | 3200lm | 2100lm | TMC4-8306517N-WB |
| | | | | | | 4000K | 30° | 3500lm | 2800lm | TMC4-8403017N-WB |
| | | | | | | | 65° | 3500lm | 2300lm | TMC4-8406517N-WB |
| 24 W | 26 W | 36 V | 700 mA | 80 | 2700K | 30° | 4000lm | 3300lm | TMC4-8273024N-WB | |
| | | | | | | 65° | 4000lm | 2700lm | TMC4-8276524N-WB | |
| | | | | | | 3000K | 30° | 4200lm | 3500lm | TMC4-8303024N-WB |
| | | | | | | | 65° | 4200lm | 2850lm | TMC4-8306524N-WB |
| | | | | | | 4000K | 30° | 4500lm | 3800lm | TMC4-8403024N-WB |
| | | | | | | | 65° | 4500lm | 3000lm | TMC4-8406524N-WB |



Matt Reflector



Matt Reflector



Black Reflector

White Reflector

Matt Reflector

Code Remark: N=N(No Driver) F=F(ON-OFF) P=P(Phase Dim) A=A(1-10V Dim) D=D(DALI Dim)